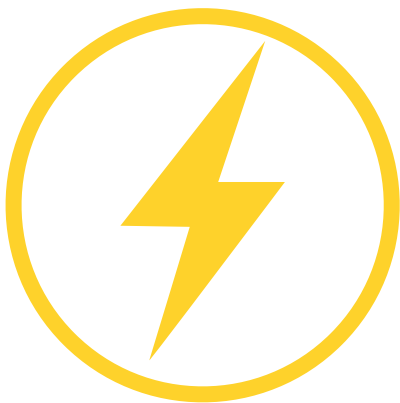


e-idos®
products

**PLUG AND PLAY
SOLUTION**



**ENERGY
EFFICIENCY**

**COMPACT
DESIGN**



ECONOMIC SAVING

**ENERGY
EFFICIENCY**

SAFETY

**CONTROLLED
SYSTEM**

EASY TO USE

**NEW FEATURES AND
COMPACT DESIGN**



Pressurized system with integrated pressure control

Easy to install and Compact **plug and play** booster set.

Brand new asynchronous single-phase motor.

Equipped with pressure transducer, non-return valve, controlled starting current and temperature.

Equipped with a programmable software and, thanks to the analogic pressure sensor, the product allows to set the re-start pressure. An ideal solution which allows to reduce or remove the need of a expansion tank

24%

**LESS ENERGY CONSUMPTION
COMPARED TO A STANDARD PUMP**

FEATURES

- high efficiency asynchronous single-phase motor
- capacitor not stressed in voltage
- uniform and lower motor temperature
- motor power control
- programmable re-start pressure
- no hydraulic losses due to the measuring devices
- voltage and current control
- monitoring of maximum starting current
- elimination of water hammer

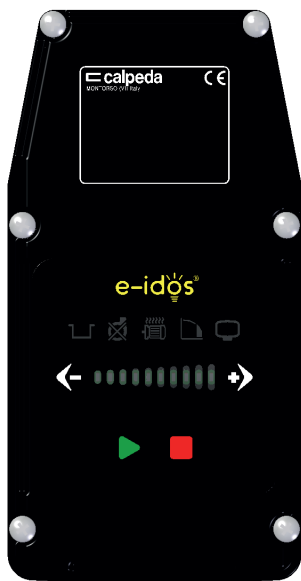
PROTECTIONS

- dry-run protection
- air detection in the pump and in the filling cycle
- overload control and overheating motor control
- pump blockage
- overcurrent protection
- power supply control
- system leakage control
- high flow rate and piping failure detection

CONFIGURATIONS



INTERFACE
WITH LCD SCREEN



ANALOGIC INTERFACE
WITH LED

E-MXP

Multi-Stage Pumps

	P1		P2		Q	m ³ /h													
	kW	kW	HP	l/min		0	1	1,5	2	2,5	3	3,5	4	4,5	5	5,4	6	7,2	
E-MXPM 203-PC	0,56	0,45	0,6	H m	32,5	29	27	25	22,5	20	17	14	11	7,5					
E-MXPM 204-PC	0,70	0,55	0,75		45	40	37,5	35	32	28,5	25	21,5	17	13	9				
E-MXPM 205-PC	0,89	0,75	1		56	50	46,5	43,5	40	35,5	31	26,5	21	16	11				
E-MXPM 403-PC	0,75	0,55	0,75		33,5			30,5	28,5	28	26,5	25	23	21,5	19	17			
E-MXPM 404-PC	1,05	0,75	1		46			40,5	38,5	38	36,5	34	32	29,5	26	24			

PREVISIONAL

E-NGX

Self-Priming Pumps

	P1		P2		Q	m ³ /h												
	kW	kW	HP	l/min		0	0,3	1	2	2,4	3	4	4,5	5	5,5	6	6,5	
E-NGXM 2/80-PC	0,71	0,45	0,6	H m	45	40	30	20,5	18									
E-NGXM 3/100-PC	0,85	0,55	0,75		53	48	39	30	27	22								
E-NGXM 4/110-PC	0,89	0,55	0,75		42	40	36	30,5	28	25	21	19,5						

PREVISIONAL

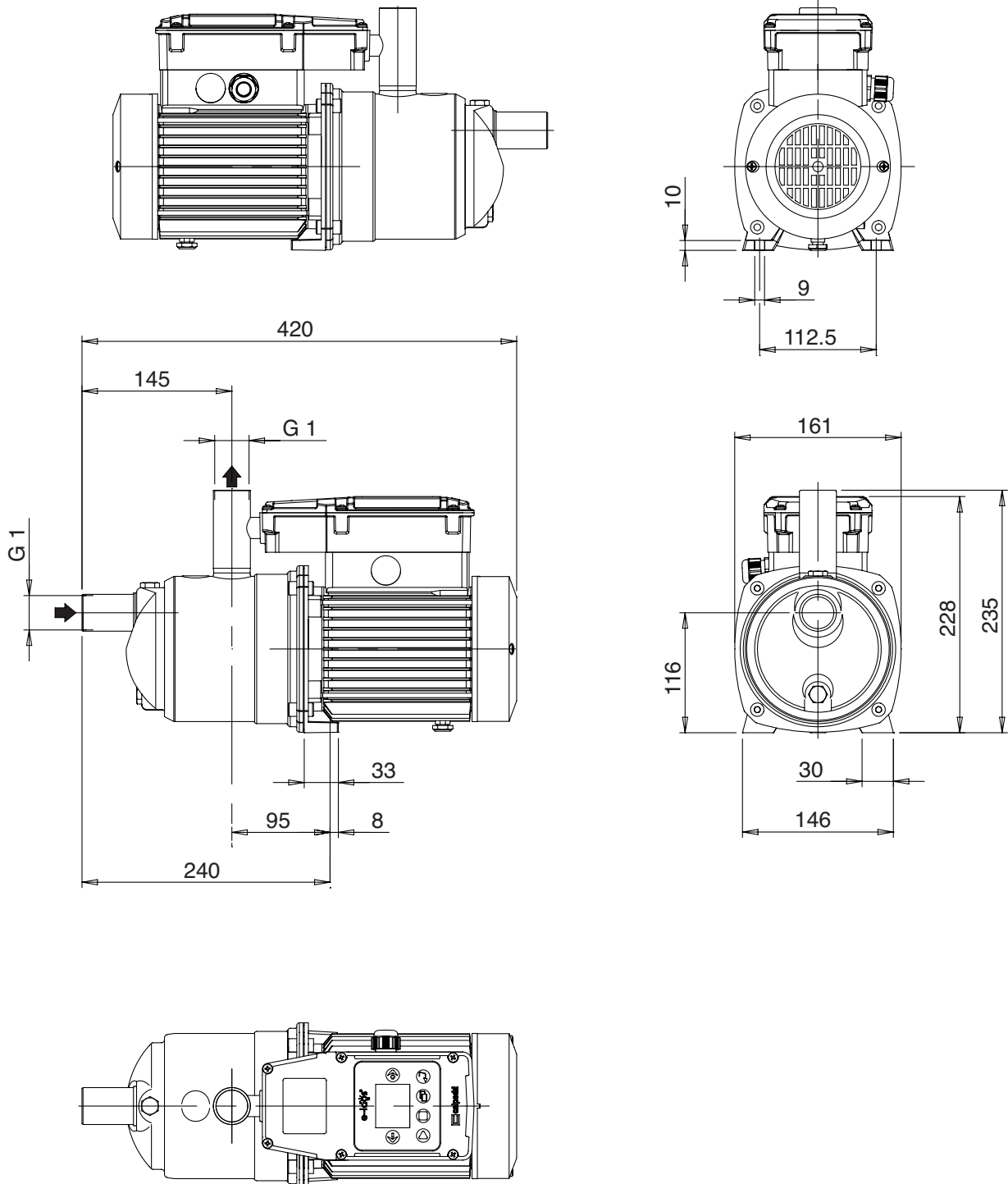
E-MXA

Self-Priming Multi-Stage Pumps

	P1		P2		Q	m ³ /h												
	kW	kW	HP	l/min		0	1	2	3	4	4,5	5	6	6,5	7	8		
E-MXAM 203-PC	0,56	0,45	0,6	H m	32	28	24	19	14									
E-MXAM 204-PC	0,70	0,55	0,75		45	40	34	27	20	15								
E-MXAM 205-PC	0,89	0,75	1		55,5	50	43	35,5	26,5	21,5	15,5							
E-MXAM 403-PC	0,75	0,55	0,75		34		30	28	25	23,5	22	17						
E-MXAM 404-PC	1,05	0,75	1		45		40	37	33	30,5	28	22						

PREVISIONAL

DIMENSIONS





water passion

Calpeda S.p.A.
Via Roggia di Mezzo, 39
36050, Montorso Vicentino, Vicenza (Italy)
Tel. + 39 0444 476 476
Fax + 39 0444 476 477
Web: www.calpeda.com
e-mail: info@calpeda.it